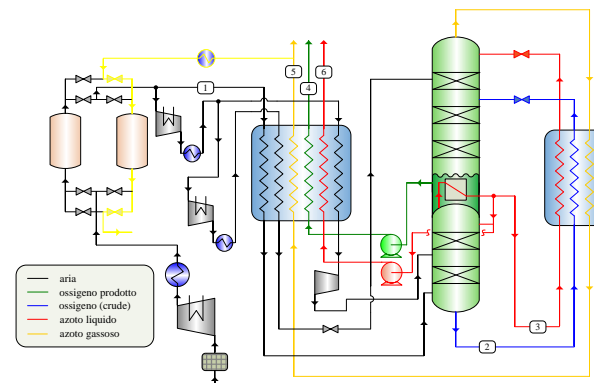
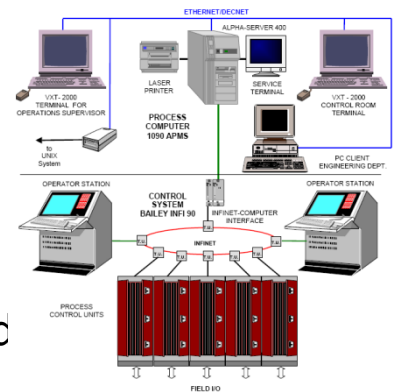
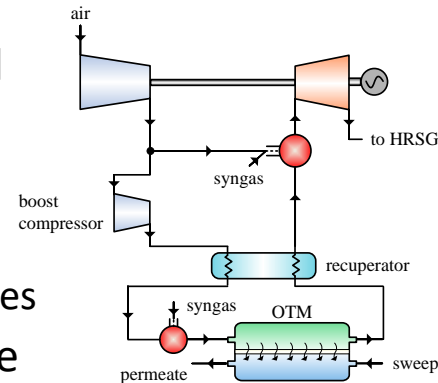
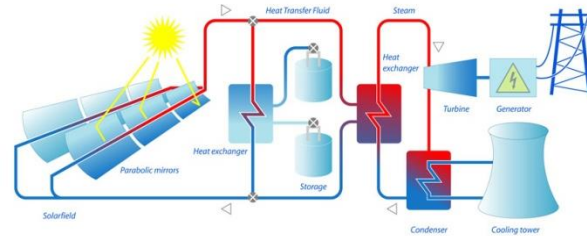




Energy Conversion

Research Topics

- CO₂ emissions abatement in advanced thermal power plants
 - exhaust gas treatment
 - oxy-combustion
 - fossil fuel decarbonization technologies
- Energy conversion based on renewable energy sources
 - biomass and biogas
 - concentrating solar power (CSP) technologies with thermal storage
- Cogeneration and trigeneration
- Power plant monitoring and diagnostic
- Metal hydride for hydrogen storage and thermodynamic cycles



Contact

Prof. Marco Gambini
 Tel. +39 06 72597214
 gambini@ing.uniroma2.it